



SUSPENSION SYSTEMS

MEP, HVAC, False Ceiling, Lighting , Signage, Display Systems

AUTHORIZED DISTRIBUTER

M/s. Alpha Star Trading (P) Ltd., (For South Region)

Door # 18/3A, Meenambedu Road,
Padi, Chennai - 600050.

Tel # +91-44-42822367 | +91-44-42812020



ISO 9001:2008



Alpha Star Trading Pvt. Ltd., | Tel : +91-44-42812020, 42822367

Introduction

GPL SUSPENSION SYSTEM

GPL Suspension systems are unique tool less wire gripping mechanism which is designed specifically for suspending high load for variety of applications. GPL Suspension Systems helps adopting eco-friendly approach by drastically reducing the Steel consumption & reducing carbon foot prints due to ease of logistics. It is the most cost effective way of installing mechanical, electrical and other suspended services especially where aesthetics, ease & speedy time bound execution are important. It eliminates the need for cutting and sawing off threaded rods for hanging duct; Simplifying and speeding up new duct installations.

2 WAY LOOP GRIPPER

GPL 2 way loop grippers are **globally patented** (patent pending) product which comes in 3 different standard sizes i.e GPCB 289, GPCB 297 & GPCB 298. Each gripper is designed for different wire diameters. The correct gripper and wire rope combination should be used to ensure desired safe working loads. Our gripper has an additional safety lock to avoid slippage of wire rope. Through hole on all the three models to make "8" type double loop assembly brings in an added advantage over other single loop grippers. The body of the 2way loop gripper is made from special grade zinc material which has excellent anti-corrosion properties. The unique ball-bearing design allows the user to quickly and safely adjust alignment.

ADVANTAGES OF GPL SUSPENSION SYSTEM

- Aesthetically appealing and very light weight making it easier to handle and hence improve site safety.
- Saves Lots of Time in Installation/Alignment unlike traditional threaded rods/angles
- Built-in pin for Tool Less adjustments with optional safety lock
- Tested for 5:1 load safety factor
- Made In India meeting Export Quality Standards
- Ideal solution for the following:

- | | |
|---|---|
| A. HVAC ducting | E. Mechanical (Copper pipes, Steel Pipes, Intermediary supports, bracing & pipe rack) |
| B. Electrical (Cable Trays/Baskets, Lighting) | F. Catenaries/Horizontal Wire Rope Solutions |
| C. Signage | G. Suspended Ceilings (False Ceiling, Acoustic baffles, etc) |
| D. Fencing and railing | H. Sealing Application (Shipping Container etc) |

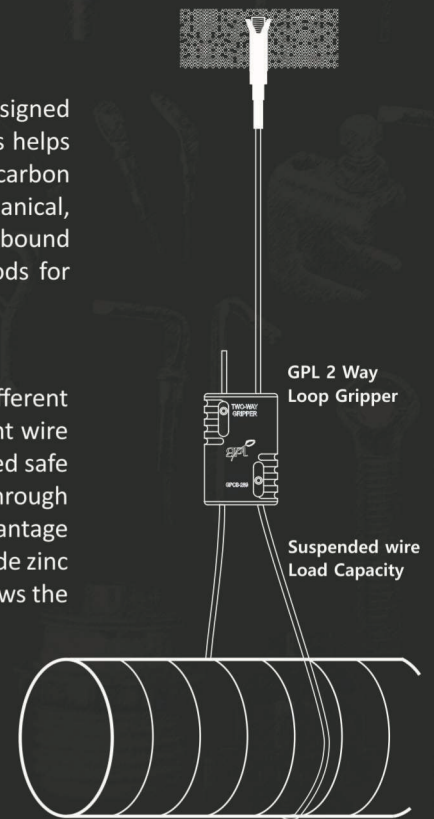
PRECAUTIONS FOR GPL SUSPENSION SYSTEMS

- Do not use for loads beyond the safe working range of the product.
- To ensure hanging system integrity, safety and load ratings use only GPL wire rope.
- For Dry locations only.
- Do not use on coated wire rope.
- Do not apply lubricant.
- This product is used for static & vertical load applications only.
- Do not use if cable or components are visibly distorted or worn.
- Do not use in Chlorinated or caustic atmosphere.

TECHNICAL INFORMATION (LOAD RATINGS)

Product	Wire range	Safe Working Load (KG)
GPCB 305	01 - 1.5 mm	Up to 15
GPCB 289	1.5 - 2.2 mm	Up to 56
GPCB 297	2.4 - 3.2 mm	Up to 113
GPCB 298	4.0 - 5.0 mm	Up to 250

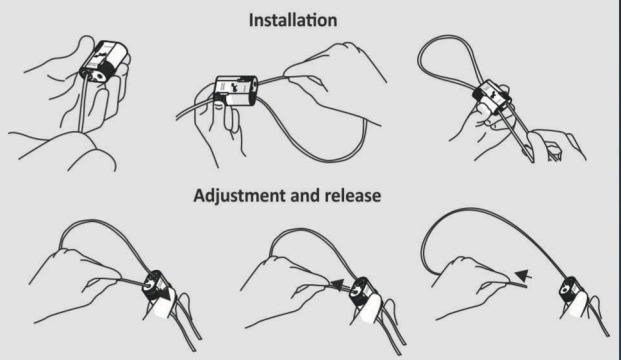
Note : The Safe Working Load gives a minimum 5:1 safety factor in a vertical plane and applies to all lengths and end fixings, unless stated otherwise.



Up to 250 Kg

(This value refers to GPLTS all sizes come with a 5:1 Safety factor)

HOW DOES IT WORK



Mechanical

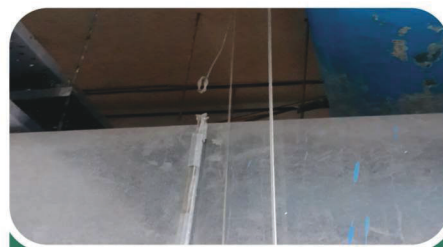
(HVAC, Pipes, Catenaries)



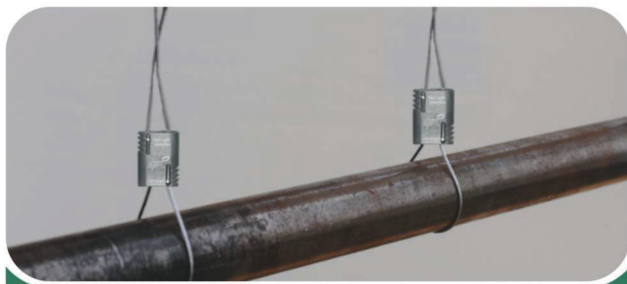
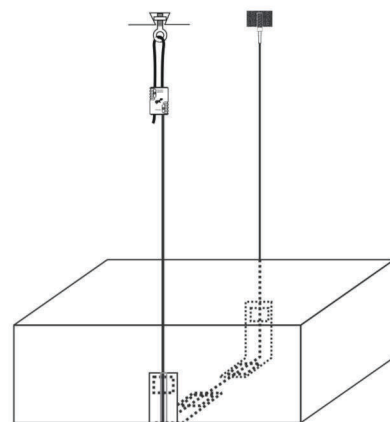
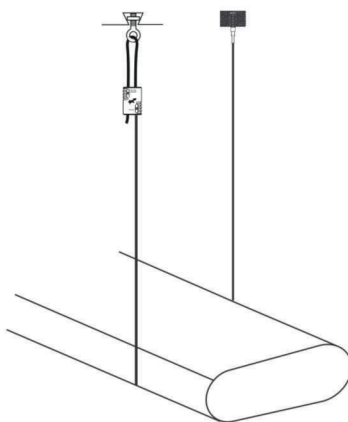
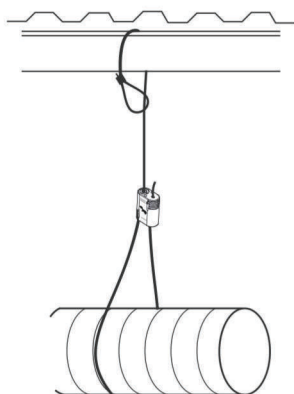
Round Ducting



Oval Ducting



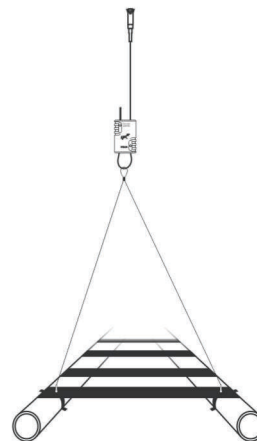
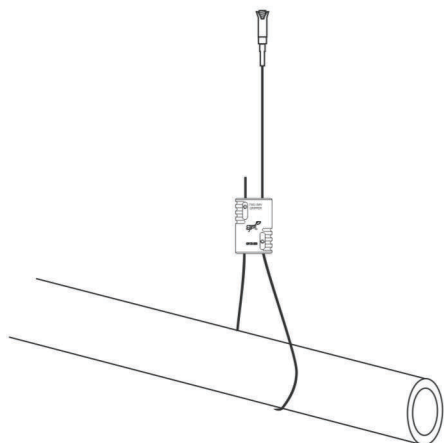
Rectangular Ducting



Steel Pipe



Steel Pipe



Electrical

(Cable Trays/Baskets, Lighting, Swivels, Canopies, Terminal Blocks Collage, Holders Collage)



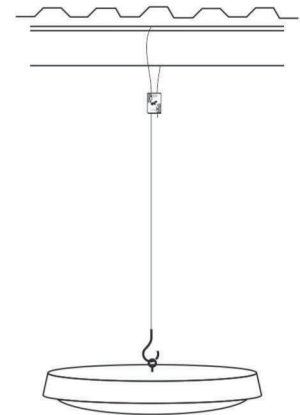
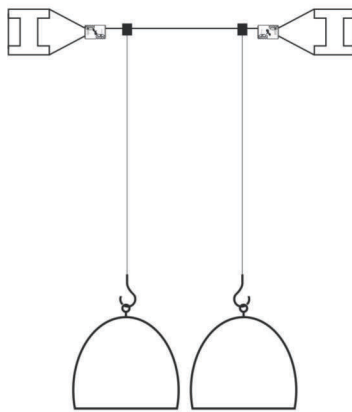
Lighting



Catenary



Lamps



Ladder Cable Tray



Perforated Cable Tray

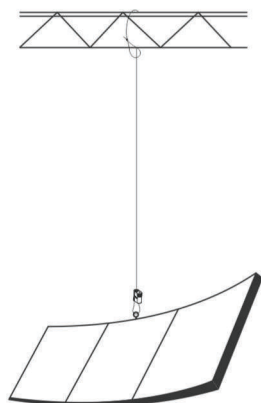


Suspended Ceilings

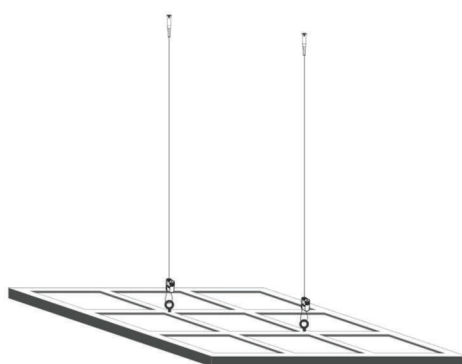
(False Ceiling, Acoustic Baffles etc)



Acoustic Panels



False Ceiling



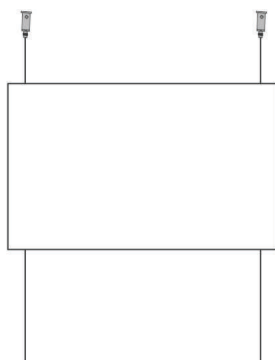
Acoustic Baffles



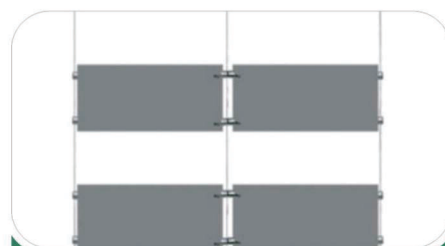
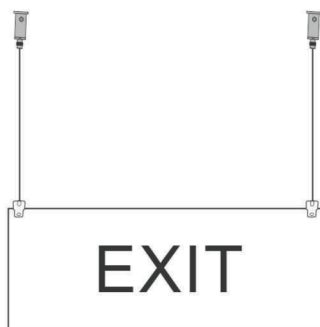
Signage & Display System



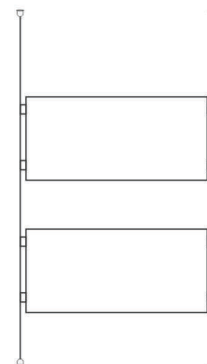
Display System



Signage



Signage & Display System



Accessories



2way Loop Blocker



Loop Blocker



Snap Hook (With Crimped Wire)



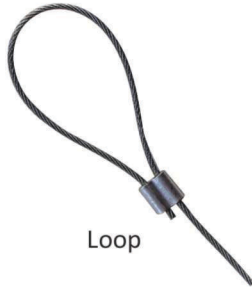
End Cast



Stud



Eyelet (With crimped wire)



Loop



Toggle



Flush/Drop Anchor



Eye Bolt



Beam Clamp



Catenary Clip



Thimble



Wire Rope with Stud



Snap Hook



Ring Anchor



Purlin Clip



Corner Protector

